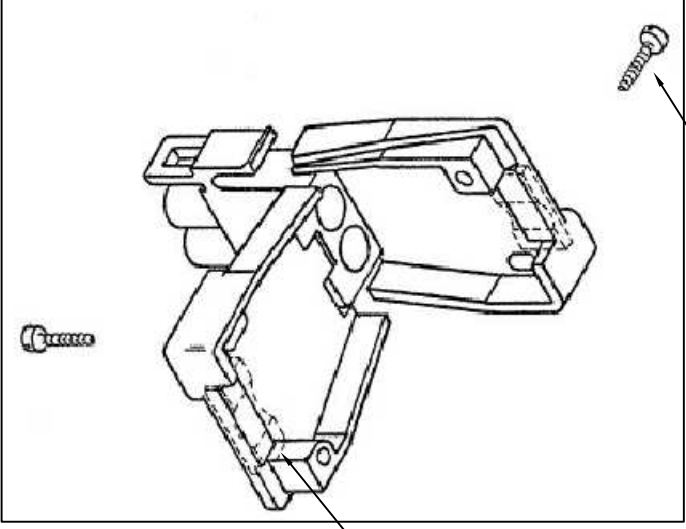


- 1 SHEET METAL SCREWS NOT SUPPLIED
- 2 INSERT IS ATTACHED TO STRAIN RELIEF, AS AN ADDITIONAL ADJUSTMENT FOR SMALL WIRE BUNDLES, IT SHOULD BE CUT-OFF AND POSITIONED AS SHOWN BY DOTTED LINES.
- 3 TWO REQUIRED PER CONNECTOR
- 4 STYLE 2 DOES NOT INCLUDE INSERT.
- 5 DETACHABLE INSERT MAY SEPARATE FROM STRAIN RELIEF BODY DURING SHIPPING.



STYLE 2

STYLE 1

WITH INSERT	WITHOUT INSERT	STYLE	MATERIAL	PART NO.
2 @ .200 DIA TO 2 @ .350 DIA	2 @ .190 DIA MAX	2	NYLON, 94V-0	3 640713-2
INSULATION RANGE		1	NYLON, 94V-0	3 640713-1

DIMENSIONS:		FINISH:	
INCHES	MILLIMETERS	0 P/C	1 P/C
		2 P/C	3 P/C
		4 P/C	5 P/C
		6 P/C	7 P/C
		8 P/C	9 P/C
		10 P/C	11 P/C
		12 P/C	13 P/C
		14 P/C	15 P/C
		16 P/C	17 P/C
		18 P/C	19 P/C
		20 P/C	21 P/C
		22 P/C	23 P/C
		24 P/C	25 P/C
		26 P/C	27 P/C
		28 P/C	29 P/C
		30 P/C	31 P/C
		32 P/C	33 P/C
		34 P/C	35 P/C
		36 P/C	37 P/C
		38 P/C	39 P/C
		40 P/C	41 P/C
		42 P/C	43 P/C
		44 P/C	45 P/C
		46 P/C	47 P/C
		48 P/C	49 P/C
		50 P/C	51 P/C
		52 P/C	53 P/C
		54 P/C	55 P/C
		56 P/C	57 P/C
		58 P/C	59 P/C
		60 P/C	61 P/C
		62 P/C	63 P/C
		64 P/C	65 P/C
		66 P/C	67 P/C
		68 P/C	69 P/C
		70 P/C	71 P/C
		72 P/C	73 P/C
		74 P/C	75 P/C
		76 P/C	77 P/C
		78 P/C	79 P/C
		80 P/C	81 P/C
		82 P/C	83 P/C
		84 P/C	85 P/C
		86 P/C	87 P/C
		88 P/C	89 P/C
		90 P/C	91 P/C
		92 P/C	93 P/C
		94 P/C	95 P/C
		96 P/C	97 P/C
		98 P/C	99 P/C
		100 P/C	101 P/C